

OSCILLATING SCREEN FOR ENAMELS

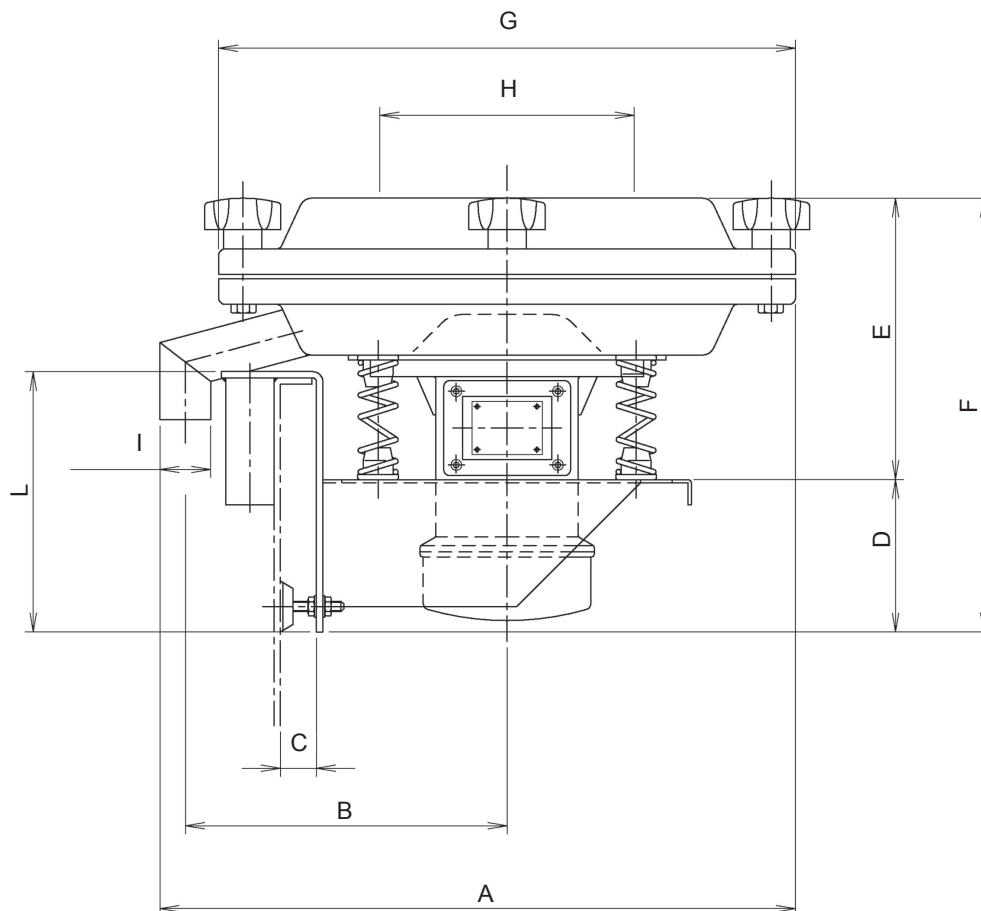
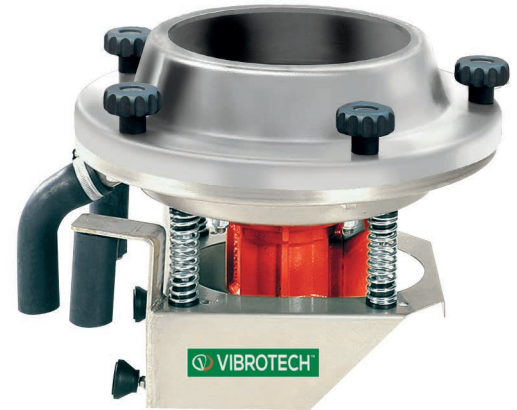
VSF 450 1Y

TECHNICAL FEATURES

DATA	U.M.	450 1Y
Power	kW	0.18
Centrifugal force	N	1.668
Number screening nets	No.	1
Screening surface	sq.m	0.104
Motorised vibrator	Type	MV 95/2
Weight	kg	30

STRUCTURAL FEATURES

- Support for quick installation on tubs.
- AISI 304 stainless steel structure.
- Fully made of AISI 304 steel.
- Motorised electric vibrator, IP65 protection rating.



Mod./Size	A	B	C	D	E	F	øG	øH	øI	L
450 1Y	500	253	29	120	222	342	454	200	40	205

USE

- Applied to the tubs in the glazing line.
- Applicator recycle screening.

ADVANTAGES

- Compact size.
- Quick tub connection system.

The information is approximate - The guaranteed values are released by Vibrotech s.r.l. on request-It is forbidden to reproduce the document even partially.