

**OSCILLATING SCREEN FOR ENAMELS**

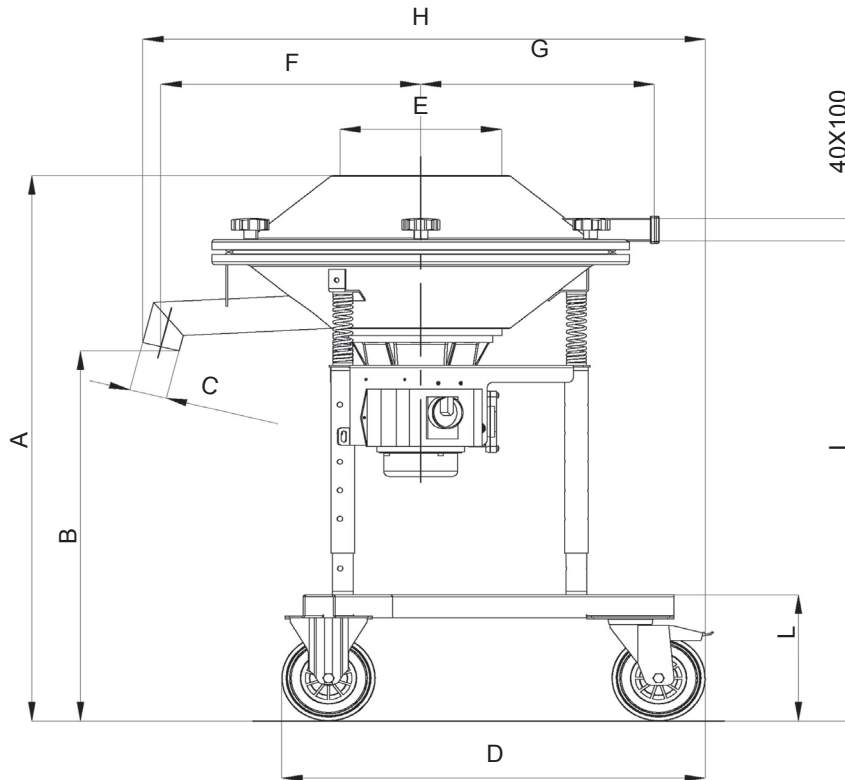
**VSL 450-600 1/Y STAINLESS STEEL**

**TECHNICAL FEATURES**

DATA	U.M.	450	600
Number screening nets	No.	1	
Screening surface	sq.m	0.104	0.264
Power	kW	0.18	0.48
Centrifugal force	N	1,668	4,199
Motorised vibrator	Type	MV 95/2	MV 112/2
Weight	kg	48	57

**STRUCTURAL FEATURES**

- AISI 304 stainless steel trolley with swivel wheel.
- Telescopic pipes for screen height adjustment.
- Parts in contact with the product: AISI 304 L – roughness ≤ 0.5 Ra $\mu$ .
- Protection rating: IP65.
- Upper strip made of AISI 304 stainless steel.
- Knob-based tightening system.



Mod./Size	A	B	øC	D	øE	F	G	H	I	L
<b>450</b>	817÷1,017	630÷830	40	516	250 – opening	250	238	581	/	207
<b>600</b>	905÷1,105	598÷798	60.3	680x740	260 – opening	417	375	903	790÷990	221

**USE**

- Screening of ceramic enamels.

The information is approximate - The guaranteed values are released by Vibrotech s.r.l. on request-It is forbidden to reproduce the document even partially.

LDQDVTLQI  
 I  
 IDI  
 I  
 LEPDLQILE

I  
 I  
 DPLVLEQI  
 QDDPLVLEQI

# OSCILLATING SCREEN FOR ENAMELS

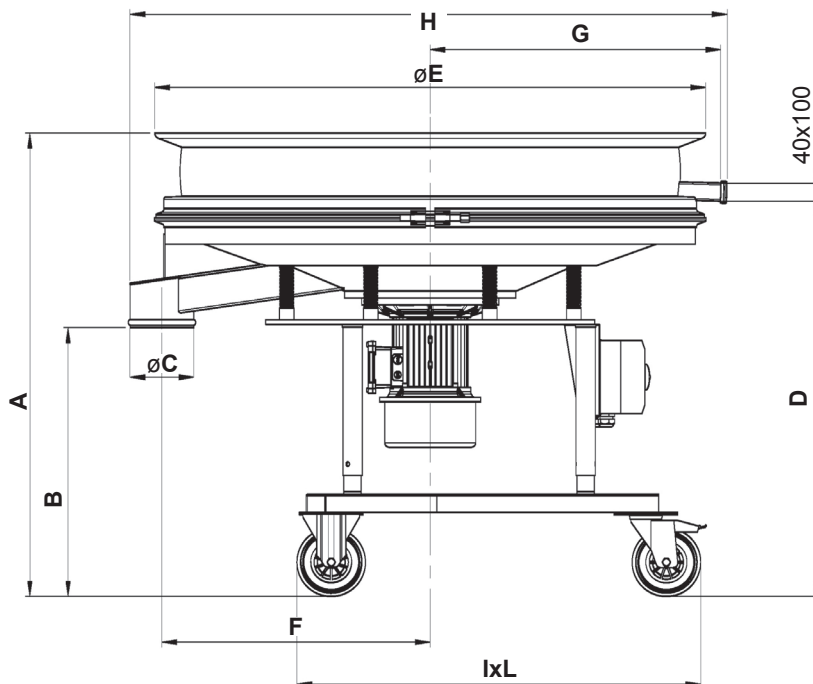
## VSL 800 - 900 - 1200 -1500 1/Y

### TECHNICAL FEATURES

DATA	U.M.	1500	1200	900	800
Number screening nets	no.	1			
Screening surface	m <sup>2</sup>	1.575	0.932	0.587	0.36
Power	kW	2,75	1.25	0.73	0.48
Centrifugal force	N	25.000	12,753	10,300	5,886
Motorised vibrator	Type	MV 155/2	MV 145/2	MV 125/2	MV 116/2
Weight	kg	200	135	100	70

### STRUCTURAL FEATURES

- AISI 304 stainless steel trolley with swivel wheel
- Telescopic pipes for screen height adjustment
- Parts in contact with the product: AISI 304 L – roughness  $\leq 0.5 \text{ Ra}$
- Protection rating: IP65
- Upper strip with rubber buffer opening
- Clamping system: half-rings with bolts



Mod./Size	A	B	$\varnothing C$	D	$\varnothing E$	F	G	H	I	L
800 1/Y	949 ÷ 1145	600 ÷ 800	76,1	840 ÷ 1040	796	462	431	943	680	740
900 1/Y	945 ÷ 1149	580 ÷ 780	101,6	829 ÷ 1029	992	525	529	1119	884	942
1200 1/Y	1015 ÷ 1215	589 ÷ 789	139,7	866 ÷ 1066	1206	587	636	1206	884	942
1500 1/Y	1081-1281	580-780	200	932-1132	1546	870	806	1790	1145	1244

### USE

- Screening of ceramic enamels

The information is approximate - The guaranteed values are released by Vibrotech s.r.l. on request-It is forbidden to reproduce the document even partially.

# OSCILLATING SCREEN FOR ENAMELS

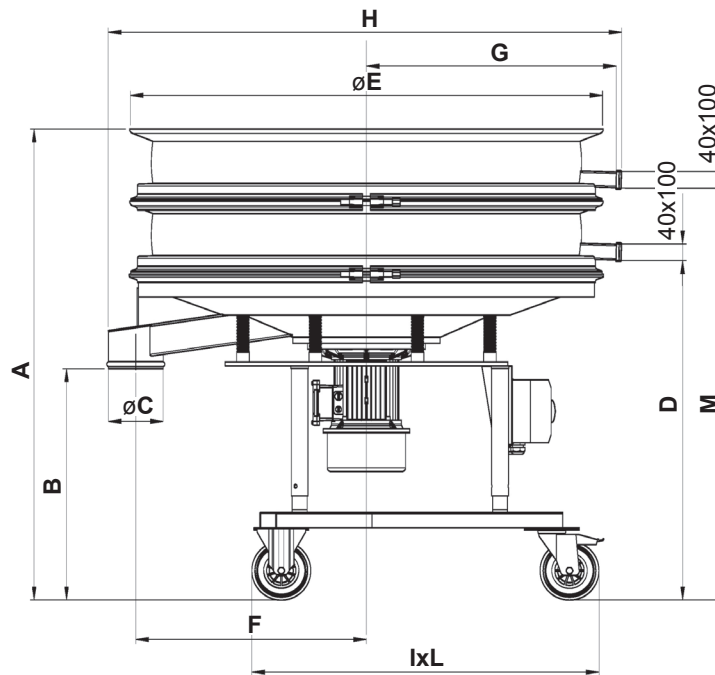
## VSL 800 - 900 - 1200 - 1500 2/Y

### TECHNICAL FEATURES

DATA	U.M.	1500	1200	900	800
Number screening nets	no.	2			
Screening surface	m <sup>2</sup>	1.575	0.932+0.932	0.587+0.587	0.36+0.36
Power	kW	2,75	0.48	0.73	1.25
Centrifugal force	N	25.000	12,753	10,300	5,886
Motorised vibrator	Type	MV 155/2	MV 145/2	MV 125/2	MV 116/2
Weight	N	3.100	1913	1422	785

### STRUCTURAL FEATURES

- AISI 304 stainless steel trolley with swivel wheel
- Telescopic pipes for screen height adjustment
- Parts in contact with the product: AISI 304 L – roughness ≤ 0.5 Ra $\mu$
- Protection rating: IP65
- Upper strip with rubber buffer opening
- Clamping system: half-rings with bolts



Mod./Size	A	B	øC	D	øE	F	G	H	I	L	M
800 2/Y	1080 ÷ 1280	600 ÷ 800	76,1	840 ÷ 1040	796	462	431	943	680	740	970 ÷ 1170
900 2/Y	1102 ÷ 1302	580 ÷ 780	101,6	829 ÷ 1029	992	525	529	1119	884	942	981 ÷ 1181
1200 2/Y	1199 ÷ 1399	589 ÷ 789	139,7	866 ÷ 1066	1206	587	636	1307	884	942	1049 ÷ 1249
1500 2/Y	1266-1466	580-780	200	932-1132	1546	870	806	1790	1145	1244	1116-1316

### USE

- Screening of ceramic enamels

The information is approximate - The guaranteed values are released by Vibrotech s.r.l. on request-It is forbidden to reproduce the document even partially.

VIBROTECH S.r.l.  
 Siège social : Via Racchetta, 2 - int. 20 - 41049 Sassuolo (MO)  
 Centre opérationnel : Via Don Pasquino Borghi, 4 - 42013 S. ANTONINO DI CASALGRANDE (RE) - Italie  
 Tél : +39 0536 82.37.76- Fax : +39 0536 81.20.09 - www.vibrotech.biz - email : info@vibrotech.biz  
 SIREN de Mo 407988 - N° Identification fiscale et Numéro de TVA 03674210368

