

SOURCE TYPE ELECTROMAGNETIC IRON SEPARATOR FOR LIQUIDS

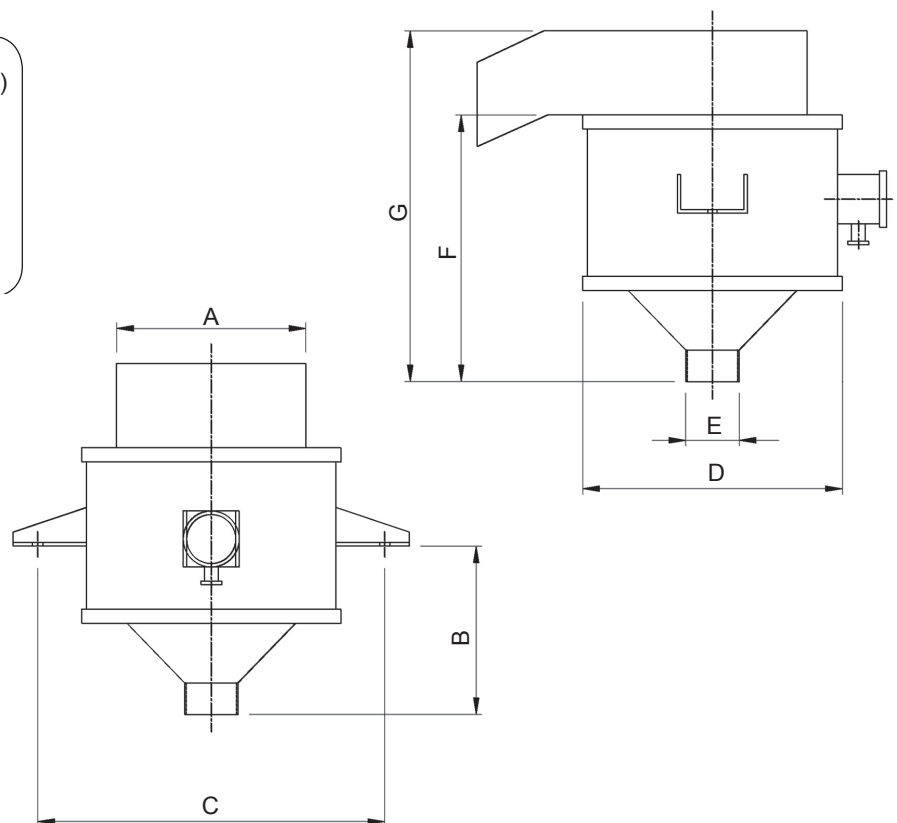
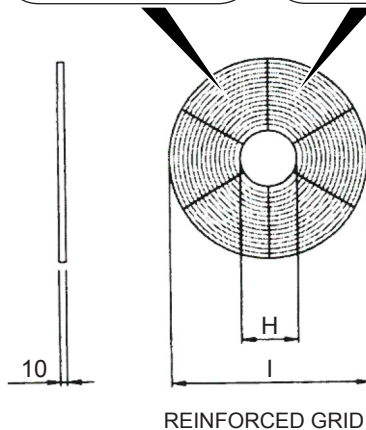
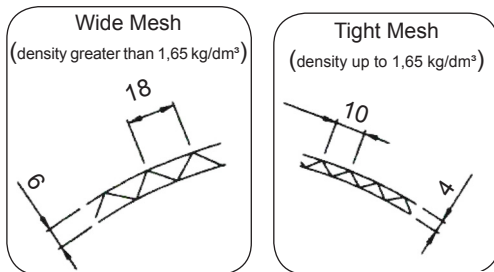
FS 205 PLUS

TECHNICAL FEATURES

DATA	U.M.	205
Power	kW	0.65
Max. Capacity	dm ³ /h	9,000
Weight	N	1540
Max liquid temperature	°C	50

STRUCTURAL FEATURES

- Corrosion-proof galvanised structure.
- IP54 rating electric control panel.
- MAGNETIC STAINLESS STEEL reinforced grids.
- Enhanced electric coil powered with direct current.
- STAINLESS STEEL discharge hopper.



Mod./Size	A	B	øC	øD	E	F	G	øH	øI	N° GRIDS
205	270	265	465	375	3"	425	545	86	203	26

USE

- Plants for ceramic slips and glazes.

ADVANTAGES

- Increased magnetic power.
- Easy cleaning by disengaging the magnetic field.
- Extra thick grids.
- Longer filter area.

The information is approximate - The guaranteed values are released by Vibrotech s.r.l. on request-It is forbidden to reproduce the document even partially.