

OSCILLATING SCREEN FOR ENAMELS

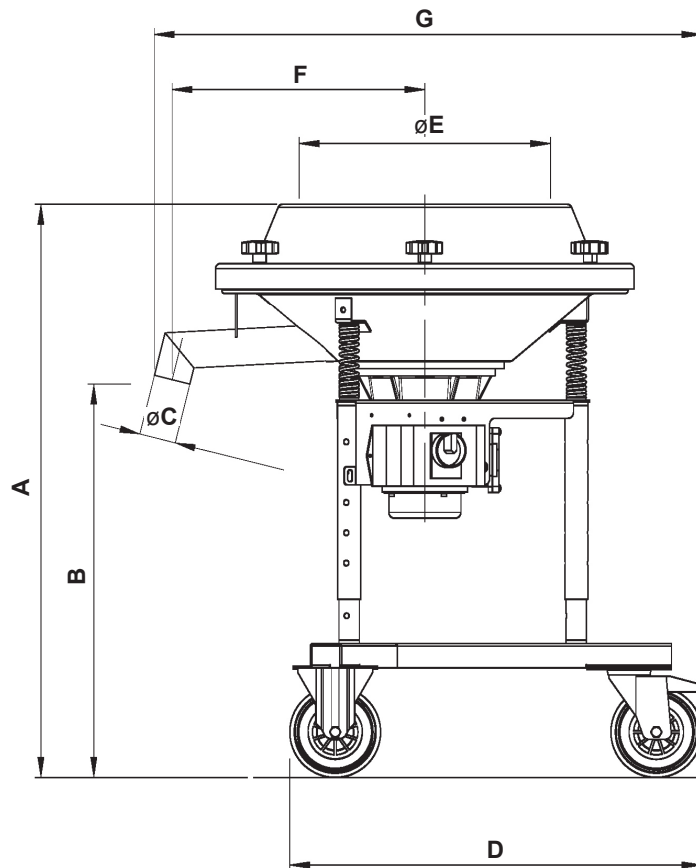
VSL 600 1/Y ABS

TECHNICAL FEATURES

DATA	U.M.	600 1/Y ABS
Number screening nets	no.	1
Screening surface	m ²	0.264
Power	kW	0.48
Centrifugal force	N	4,198
Motorised vibrator	Type	MV 112/2
Weight	kg	50

STRUCTURAL FEATURES

- AISI 304 stainless steel trolley with swivel wheel
- Telescopic pipes for screen height adjustment
- AISI 304 L stainless steel parts – roughness $\leq 0.5 \text{ Ra}_{\mu}$
- Protection rating: IP65
- Upper thermoformed ABS strip
- Knob-based tightening system



Mod./Size	A	B	øC	D	øE	F	G
600 1/Y	896÷1096	598÷798	60,3	680x740	415 – opening	417	903

USE

- Screening of ceramic enamels

The information is approximate - The guaranteed values are released by Vibrotech s.r.l. on request-It is forbidden to reproduce the document even partially.

OSCILLATING SCREEN FOR ENAMELS

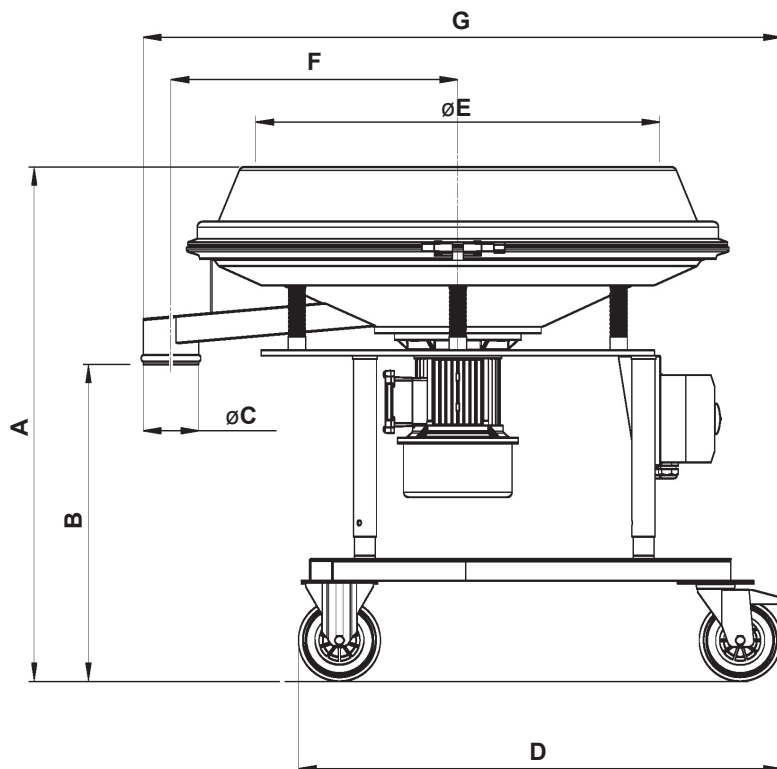
VSL 900 1/Y ABS

TECHNICAL FEATURES

DATA	U.M.	900 1/Y ABS
Number screening nets	no.	1
Screening surface	m ²	0.587
Power	kW	0.73
Centrifugal force	N	10,300
Motorised vibrator	Type	MV 125/2
Weight	kg	95

STRUCTURAL FEATURES

- AISI 304 stainless steel trolley with swivel wheel
- Telescopic pipes for screen height adjustment
- AISI 304 L stainless steel parts – roughness $\leq 0.5 \text{ Ra}_\mu$
- Protection rating: IP65
- Upper thermoformed ABS strip
- Clamping system: half-rings with bolts



Mod./Size	A	B	$\varnothing C$	D	$\varnothing E$	F	G
900 1/Y	941÷1141	580÷780	102	884÷942	740 - opening	525	1168

USE

- Screening of ceramic enamels

The information is approximate - The guaranteed values are released by Vibrotech s.r.l. on request-It is forbidden to reproduce the document even partially.