

## MILL DISCHARGE TRAILER-MOUNTED UNIT

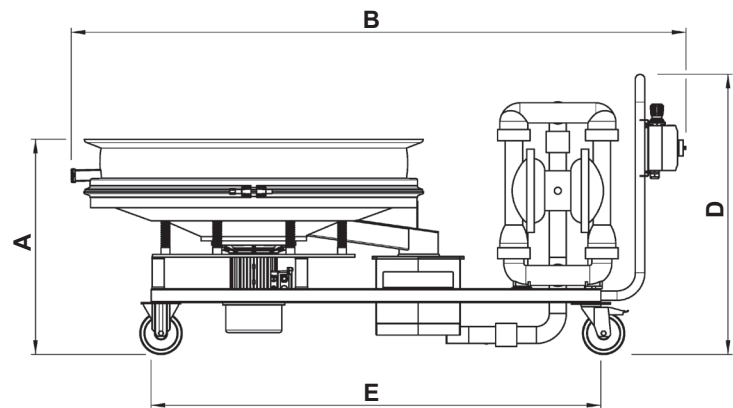
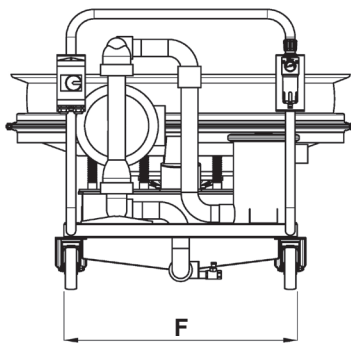
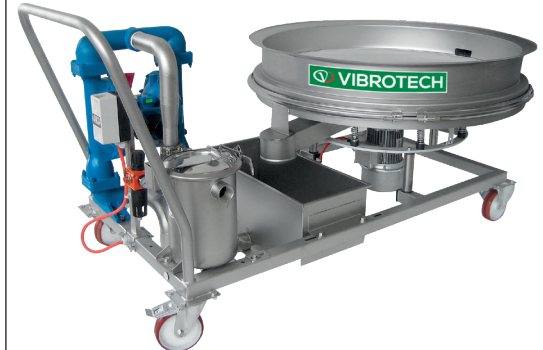
TSP 800 - 900 - 1200 - 1500

## TECHNICAL FEATURES

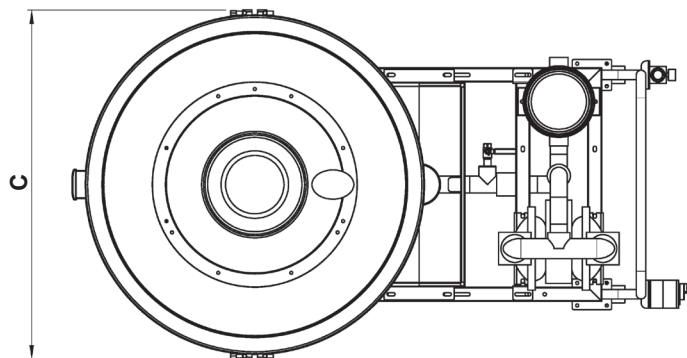
DATA	U.M.	1500	1200	900	800
Number screening nets	n.	1			
Screening surface	m <sup>2</sup>	1,575	0,932	0,587	0,36
Power	kW	2,75	1,25	0,73	0,48
Centrifugal force	N	25000	12753	10300	6671
Pneumatic pump		2"	2"	2"	2"
Max operating pressure	bar	1,5			
Max operating temperature	°C	80			
Weight	kg	300	225	190	160

## STRUCTURAL FEATURES

- AISI 304 stainless steel frame
- Parts in contact with the product: AISI 304 L – roughness  $\leq 0.5 \text{ Ra}_{\mu}$
- Protection rating: IP65
- Metal separator with permanent magnets
- Pneumatic pump to convey enamel



Mod./Size	A	B	C	D	E	F
TSP 800	700	1937	890	942	1465	830
TSP 900	709	2080	1020	942	1600	
TSP 1200	775	2190	1240	942	1600	
TSP 1500	891	2640	1580	996	1850	



## USE

- Screening of enamel coming out of the mills

The information is approximate - The guaranteed values are released by Vibrotech s.r.l. on request-It is forbidden to reproduce the document even partially.



Via Don Pasquino Borghi, 4  
42013 S. ANTONINO DI CASALGRANDE (RE)  
Italy  
Tel. +39 0536 82.37.76  
www.vibrotech.biz - email: info@vibrotech.biz

## CONTACT FRANCE

Tél. + (33)1 41 15 91 41  
www.tamis-vibrant.fr  
contact@tamis-vibrant.fr



**TAMIS  
VIBRANT  
INDUSTRIEL**