

IRON-REMOVER FOR POWDER

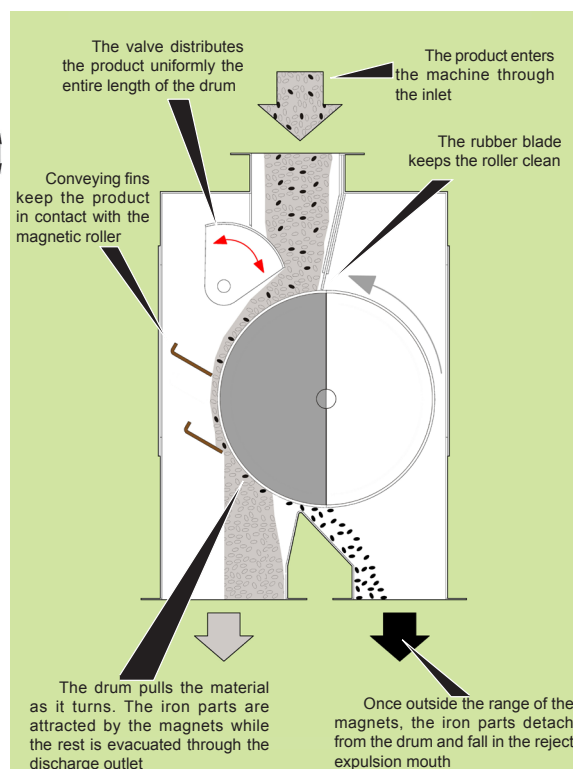
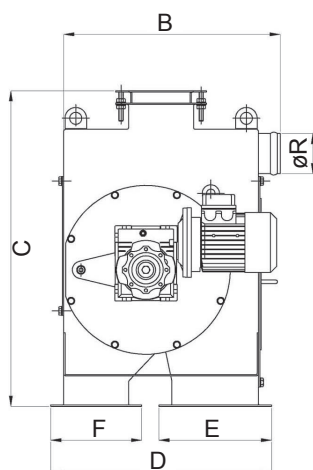
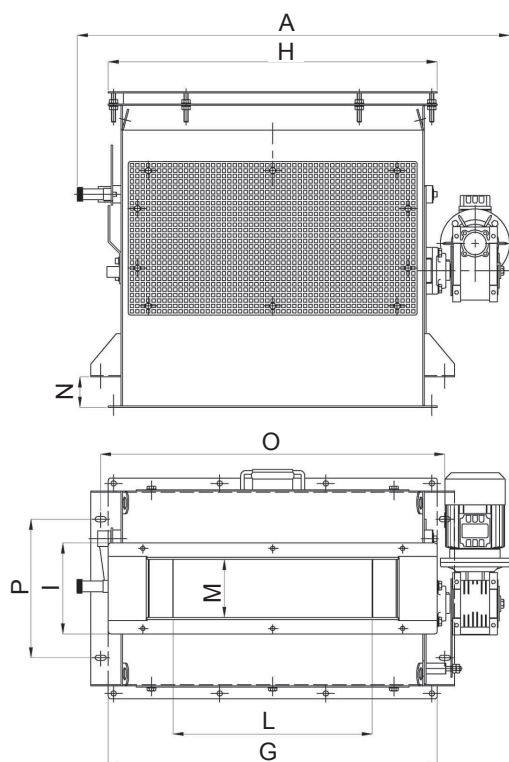
CEM 300-600-900-1200 PLUS

TECHNICAL FEATURES

DATA	U.M.	300	600	900	1200
Nominal power of magnets	Gauss	16.000	16.000	16.000	16.000
Power	kW	0.37	0.37	0.37	0.37
Drum length	mm	300	600	900	1,200
Drum diameter	mm	300	300	300	300
Weight	Kg	125	195	260	325
Maximum Capacity	t/h	15	30	45	60

STRUCTURAL FEATURES

- Completely in stainless steel AISI 304.
- Automatic cleaning
- Permanent magnets in neodymium.



Mod./Size	A	B	C	D	E	F	G	H	I	L	M	N	O	P	øR
300	698	500	729	510	260	210	460	460	210	200	134	70	495	320	93
600	998	500	729	510	260	210	760	760	210	460	134	70	795	320	93
900	1,298	500	729	510	260	210	1,060	1,060	210	760	134	70	1,095	320	93
1200	1,618	500	729	510	260	210	1,360	1,360	210	1,060	134	70	1,395	320	93

USE

- In automatic granules conveyor lines.

ADVANTAGES

- Simple construction.
- Great metal separation efficiency by adopting powerful magnets in neodymium.
- Considerable savings on maintenance costs.

The information is approximate - The guaranteed values are released by Vibrotech s.r.l. on request-It is forbidden to reproduce the document even partially.