

OSCILLATING SCREEN FOR ENAMELS

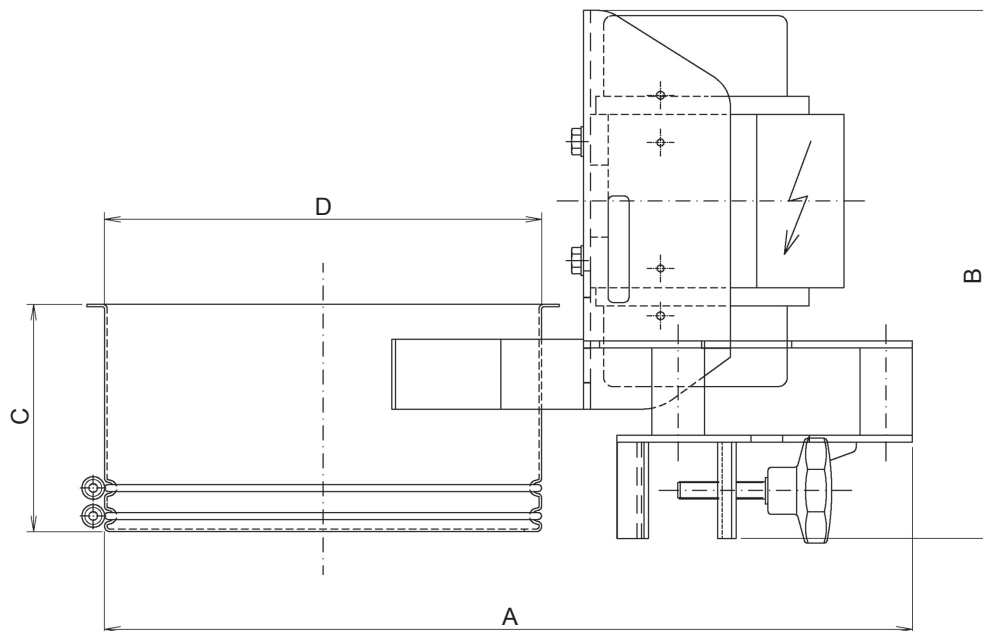
VSL 250 1Y

TECHNICAL FEATURES

DATA	U.M.	250 1Y
Power	kW	0.100
Centrifugal force	N	952
Number screening nets	No.	1
Screening surface	sq.m	0.04
Weight	N	157

STRUCTURAL FEATURES

- Strip clamping system with fast hook closure.
- Motorised electric vibrator, IP65 protection rating.
- All parts made of AISI304 steel.



Mod./Size	A	B	C	øD
250 1Y	462	302	130	250

USE

- In glazing line.

ADVANTAGES

- High efficiency thanks to high-frequency vibration system.
- Easy mesh replacement with the exclusive tensioning system.

The information is approximate - The guaranteed values are released by Vibrotech s.r.l. on request-It is forbidden to reproduce the document even partially.